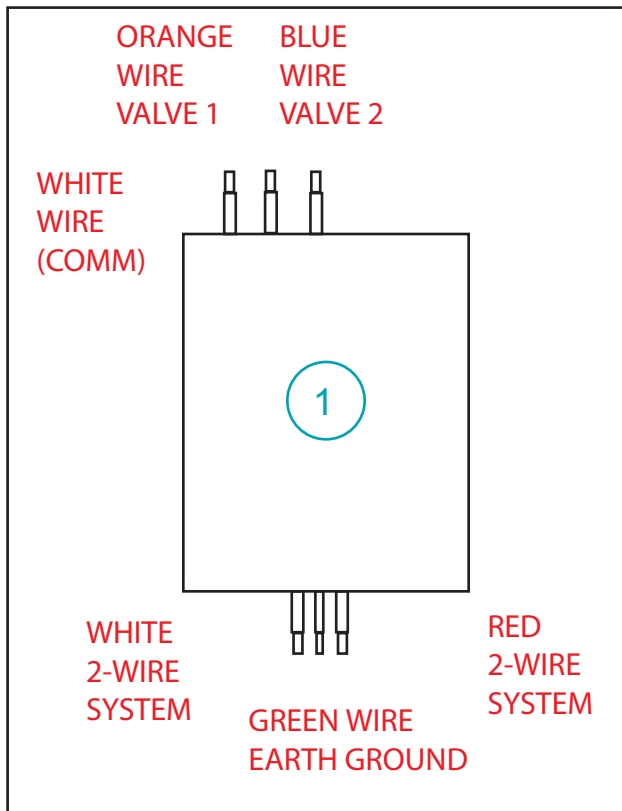


NOTE:
 MAXIMUM DISTANCE FROM ADAPTER
 TO SOLENOID VALVE 450'

- 1 2-ZONE DECODER MODEL NO ACC-DCR-002
- 2 24 VAC SOLENOID VALVE (1 OF 4)
- 3 10" ROUND VALVE BOX (1 OF 4)
- 4 DBY WATER PROOF CONNECTION (1 OF 10)
- 5 2-WIRE COMMUNICATION CABLE IN CONDUIT
- 6 EARTH GROUND



A

TYPICAL 2-ZONE DECODER ACCLIMA ACC-DCR-002

STANDARD DETAIL-NO-SCALE
 3-16-09