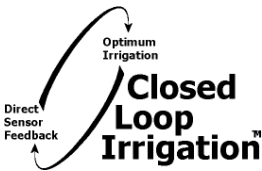


Acclima 16 & 32-Zone Adapter

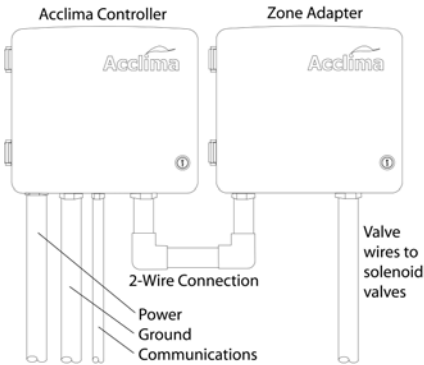


Installation Guide ACC-ADP-016 ACC-ADP-032



1 Overview

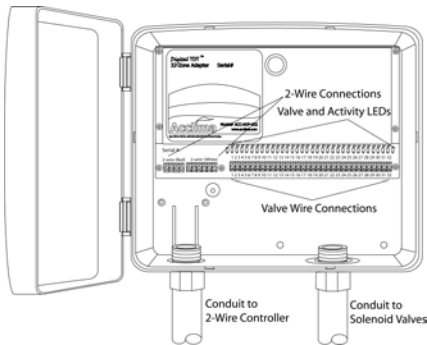
Acclima's 16 & 32-Zone Adapter enables communication between the 2-wire system and up to 16 or 32 solenoid valves. The adapter is primarily used for retrofitting a conventionally wired irrigation system to a 2-wire system.



The adapter comes installed in a lockable weather-proof cabinet and is designed to be installed in place of the existing controller with the valve wires feeding into the bottom of the adapter. The adapter is connected to the Acclima controller through the 2-wire system.

2 Adapter Components

16 & 32-Zone Adapters are comprised of the following parts:



1. 2-Wire Connections

The 2-wire connection to the controller consists of red "hot" and white "common"

blocks. Use 14 gage red and white wire to make the connection to the controller. The white "common" valve wire also should be installed on the White (common) block.

2. Valve Wire Connections

The multi-colored valve wires are installed in their respective terminals on the terminal block.

3. Lave and Activity Indicators (LEDs)

Above each valve terminal is an indicator lamp that illuminates when the valve is on. The LEDs to the far right and far left flash when communication signals are present on the 2-wire system.

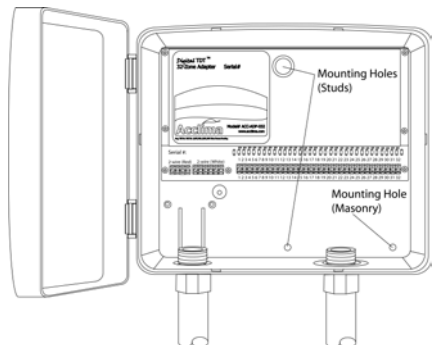
3 Installation Instructions

Mounting the Controller

The 16 & 32-zone Adapter may be installed indoors or outdoors. There is no need to supply the adapter with power.

1. Open the front cover of the controller. The weather-tight seal may make opening a little difficult.
2. Mount the Control Box using the stud mounting holes or if necessary the masonry hole.

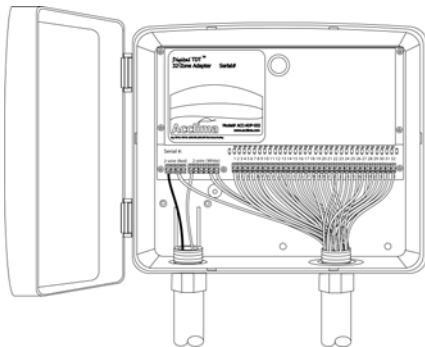
Stud Mount - Mount the adapter with 2" wood screws through the center top and bottom mounting holes.



Wall Board or Masonry Mount - Use wallboard or masonry anchors and screws through the top and the bottom center and right mounting hole.

Installation diagram for the 16 & 32-Zone Adapter:

4 Adapter Configuration



1. 2-Wire Connections

Connect the 2-wire system to the terminal blocks on the left side of the adapter circuit board. Make sure to connect red to red and white to white. If you have other zone adapters to connect to the system you can 'daisy chain' one or more pairs of red and black wires from these terminals to other adapters or even strings of adapters.

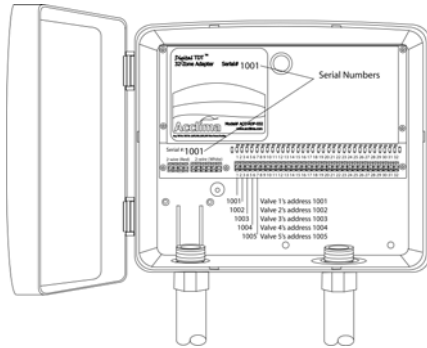
NOTE: The terminal labeled 'white' is also the valve common terminal. Connect your valve common wire here. If you have more than one common wire from your valves connect them all to the 'white' block.

2. Valve Wire Connections

The multi-colored wires from the valves connect to the individual valve connection terminals. You can connect them in any order you wish. It is wise to write down the description of the zone and its associated terminal serial number so that you can easily enter these into the controller when you configure the system (see Notes).

NOTE: If you have wired one or more sensors into your system using the valve wires in the valve box, connect that valve wire to the 'red' terminal of the 2-wire system. The serial number associated with that valve will be the sensor serial number plus 1. For example, if the serial number inscribed on the sensor is 23046 then the valve serial number is 23047.

Each component of the 2-wire system has its own address. The 16 & 32-Zone Adapter has a serial number stamped onto the electronic circuit board as well as on the label. The serial number is the address for the first valve. The second valve's address is the next consecutive number and so on.



Example: The adapter's serial number is 1001

Valve one's address is 1001
 Valve two's address is 1002
 Valve three's address is 1003
 Valve four's address is 1004
 Valve five's address is 1005
 etc....

You will use these valve address numbers when configuring the adapter at the controller.

Congratulations, you are now ready to configure the adapter at the controller.

Notes:

Zone	Serial Number	Description
1.		
2.		
3.		
4.		
5.		
6.		
7.		
8.		
9.		
10.		
11.		
12.		
13.		
14.		
15.		
16.		
17.		
18.		
19.		
20.		
21.		
22.		
23.		
24.		
25.		
26.		
27.		
28.		
29.		
30.		
31.		
32.		

Acclima, Inc.
1763 W. Marcon Ln., Ste. 175
Meridian, ID 83642

phone: 208-887-1470
toll free: 866-887-1470

acclima.com