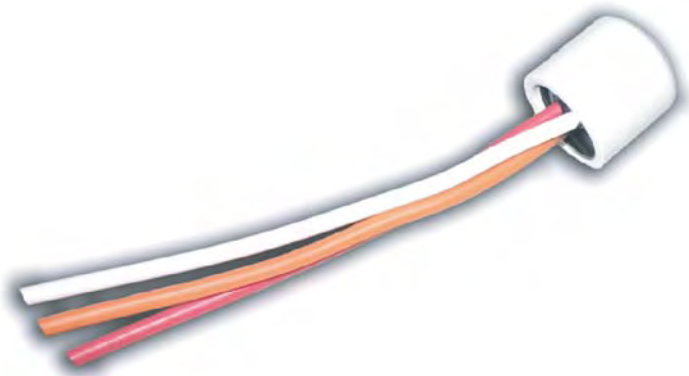


Lightning Arrestor



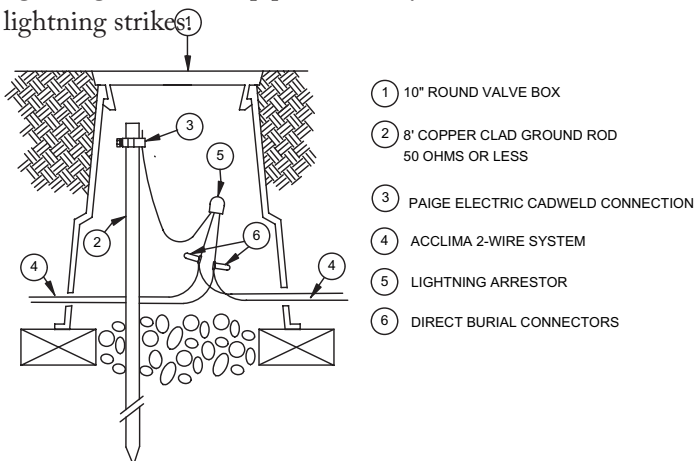
Features:

- Designed to minimize electrical surge damage
- Connects to a ground rod allowing an escape to ground
- Protects the 2-Wire system from high surge electricity

Electrical:

DC Voltage@100V/sec (V)	75
Max Dynamic Breakover Voltage@100V/ μ s (Vbr)	600
Max Dynamic Breakover Voltage@1kV/ μ s (Vbr)	700
Max Repetitive Impluse Discharge Current (kA)	5
Insulation Resistance	1x10 ⁹ @50V
Alternating Discharge Current (A)	5
Max Capacitance (pF)	1.2
Holdover Voltage	50
Nominal On-Stage Voltage 1A (V)	20

Lightning arrestors are designed to channel the surge of lightning away from the 2-Wire system and into the ground. When a high voltage surge exits the arrestors act as a shunt allowing the surge to move to ground along a ground rod. Once the surge passes the arrestor normalizes to allow communication along the 2-Wire system. Properly installed lightning arrestors help protect the system from local area lightning strikes.



Dimensions:

- Cap Width: 1" (2.5 cm)
- Cap Height: 1" (2.5 cm)
- Depth: 24" (60.9 cm)

MODEL#
ACC-LAR-007

Acclima, Inc., 1763 W. Marcon Ln., Meridian, ID 83642 USA
Toll Free: 866-887-1470 Fax: 208-887-6368
www.acclima.com

Rev 0209

Acclima
Closed Loop Irrigation Systems

